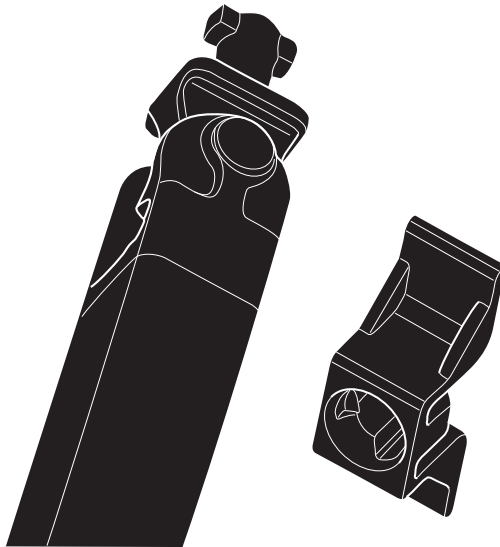


Thule Additional Support Leg

➤ Instructions

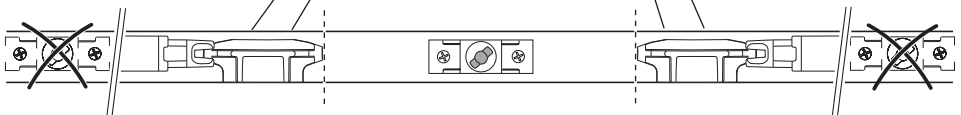
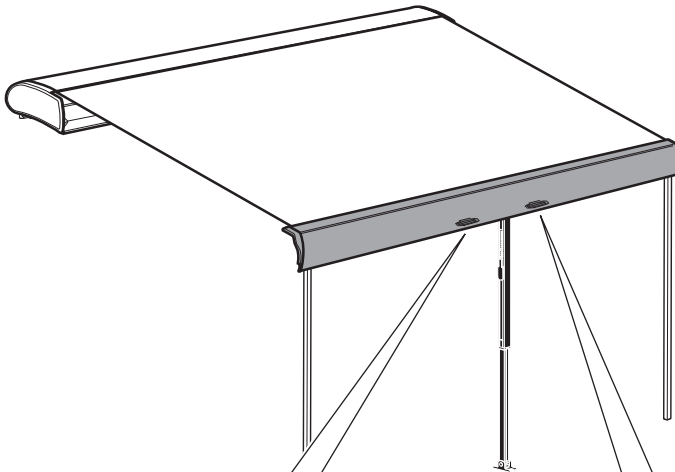
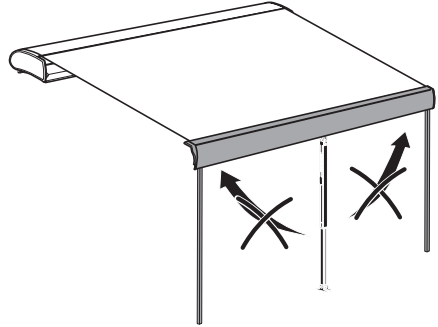
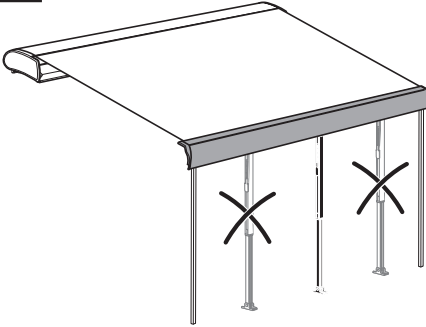


i

All Roof Awnings > 3,75 m
All Wall Awnings > 3,75 m

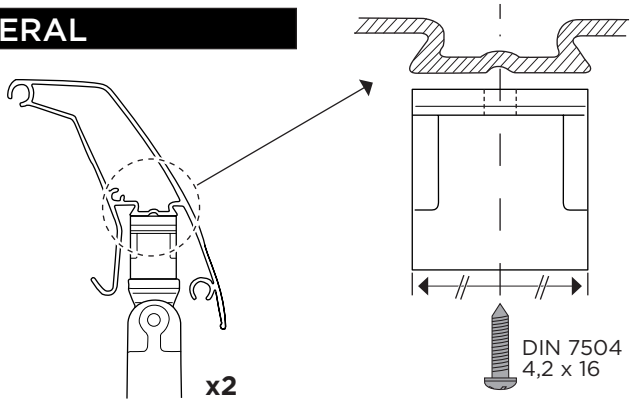
Except = 4900, Caravan Style

1

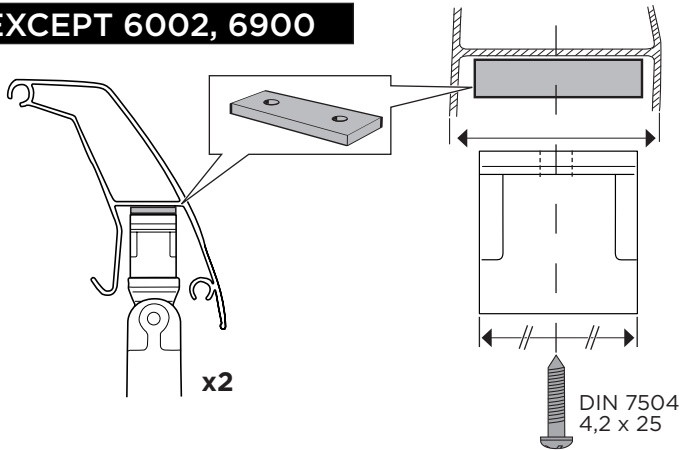


2

GENERAL

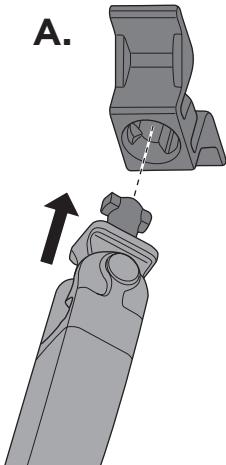


EXCEPT 6002, 6900

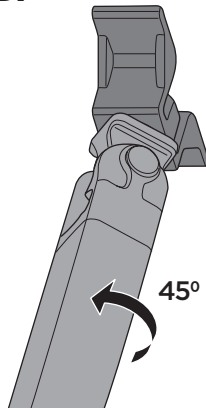


3

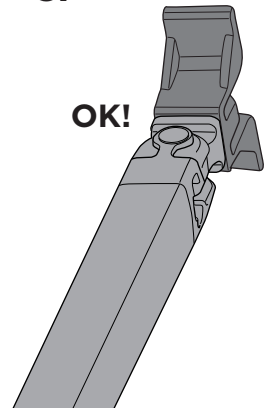
A.



B.



C.





Thule NV, Kortrijkstraat 343 - BE 8930 Menen, BELGIUM



infoRV@thule.com



www.thule.com